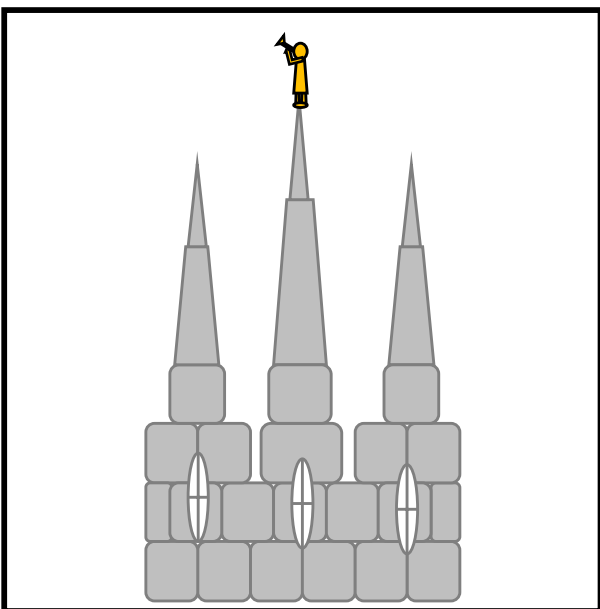
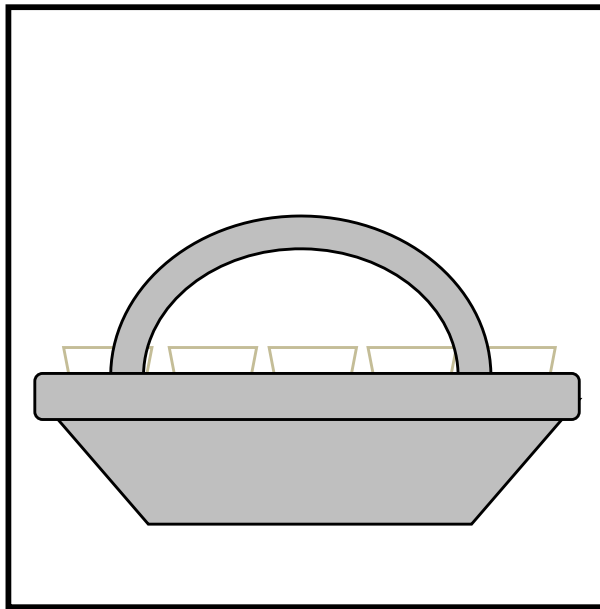
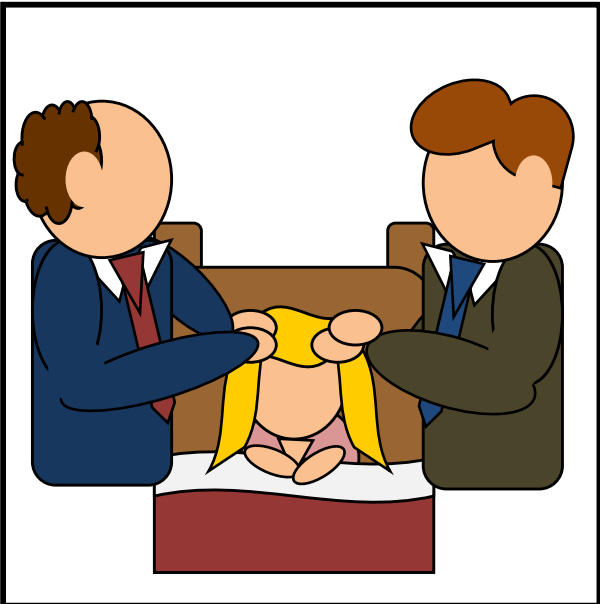
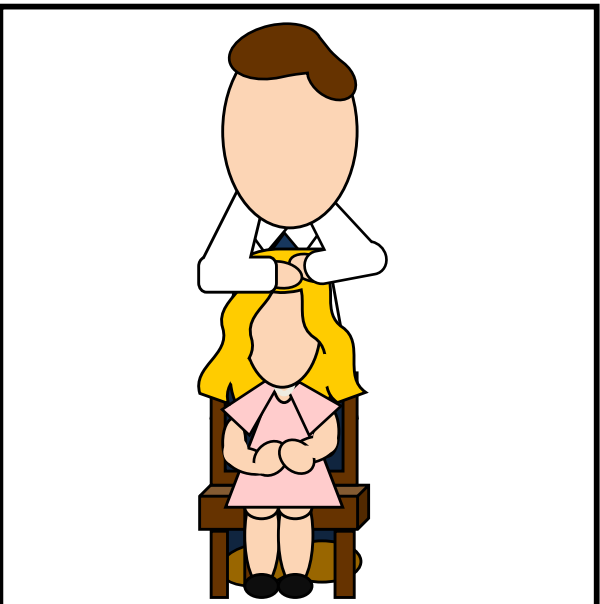
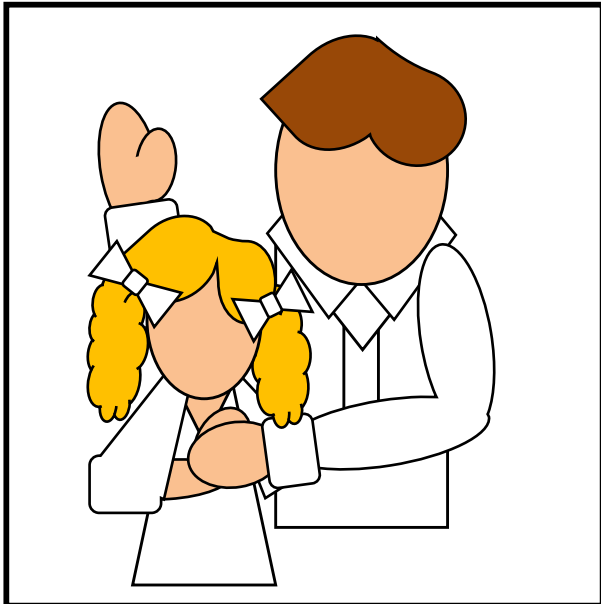
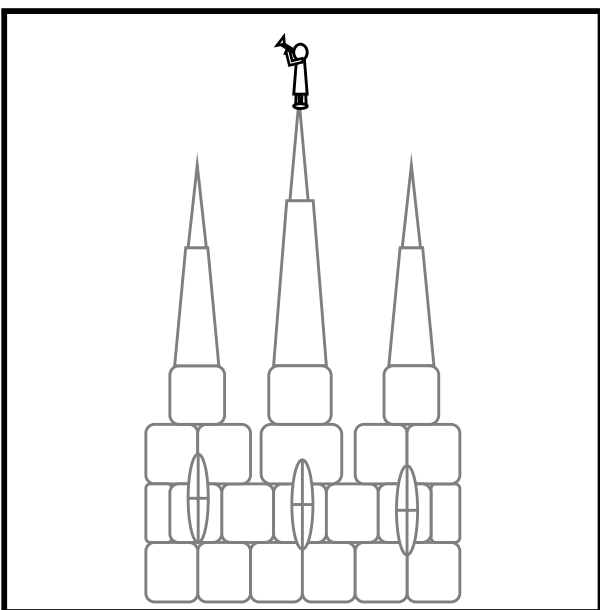
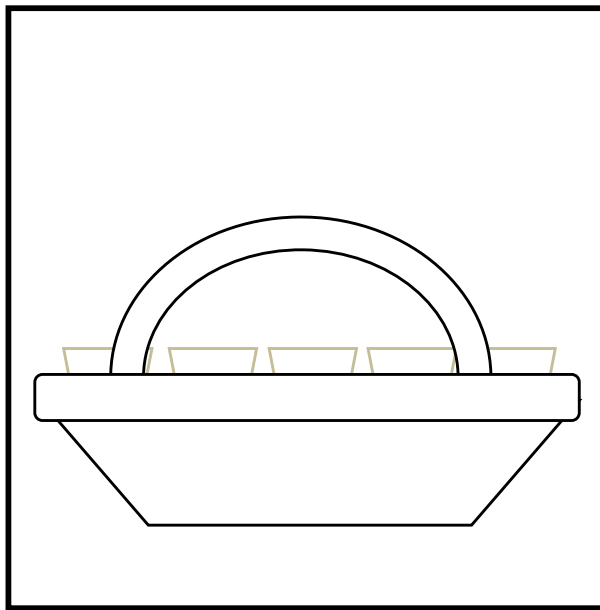
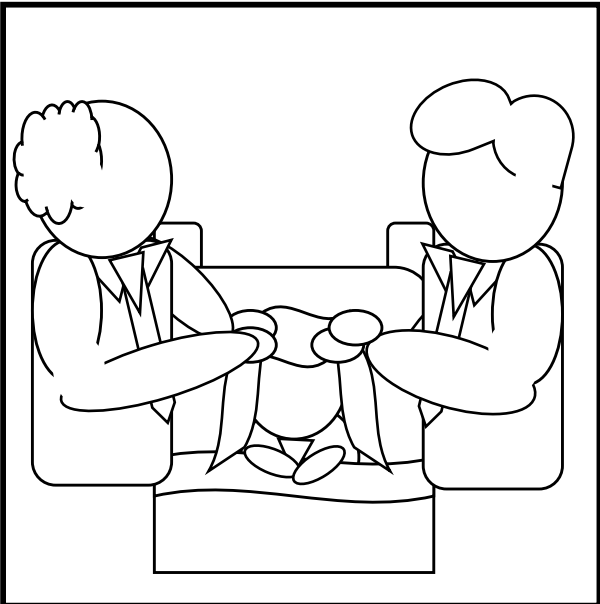
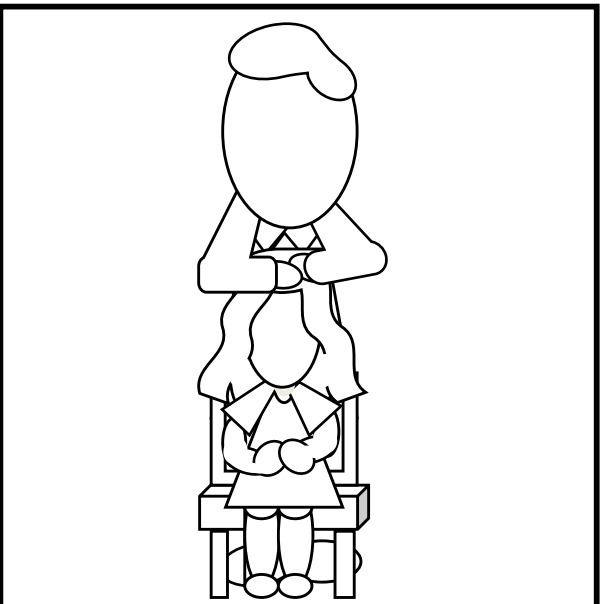
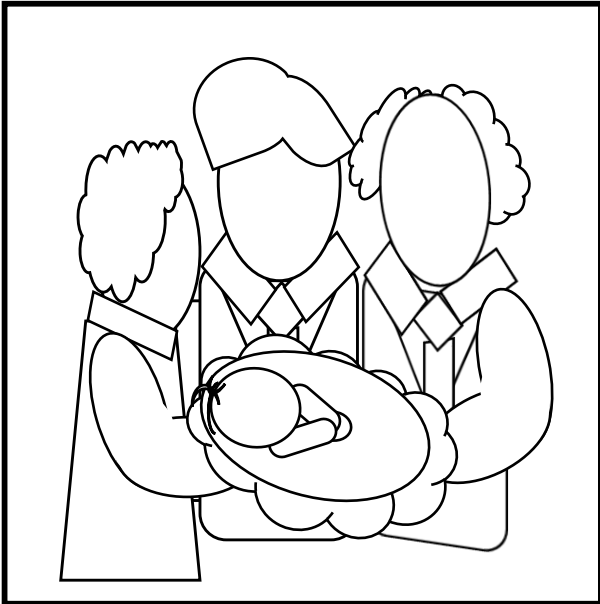


Blessings That Come
Through the Priesthood
Concentration Game





RECEIVING
A NAME AND
A BLESSING

BEING
BAPTIZED

RECEIVING
THE GIFT OF
THE HOLY
GHOST

RECEIVING
A BLESSING
WHEN SICK

PARTAKING
OF THE
SACRAMENT

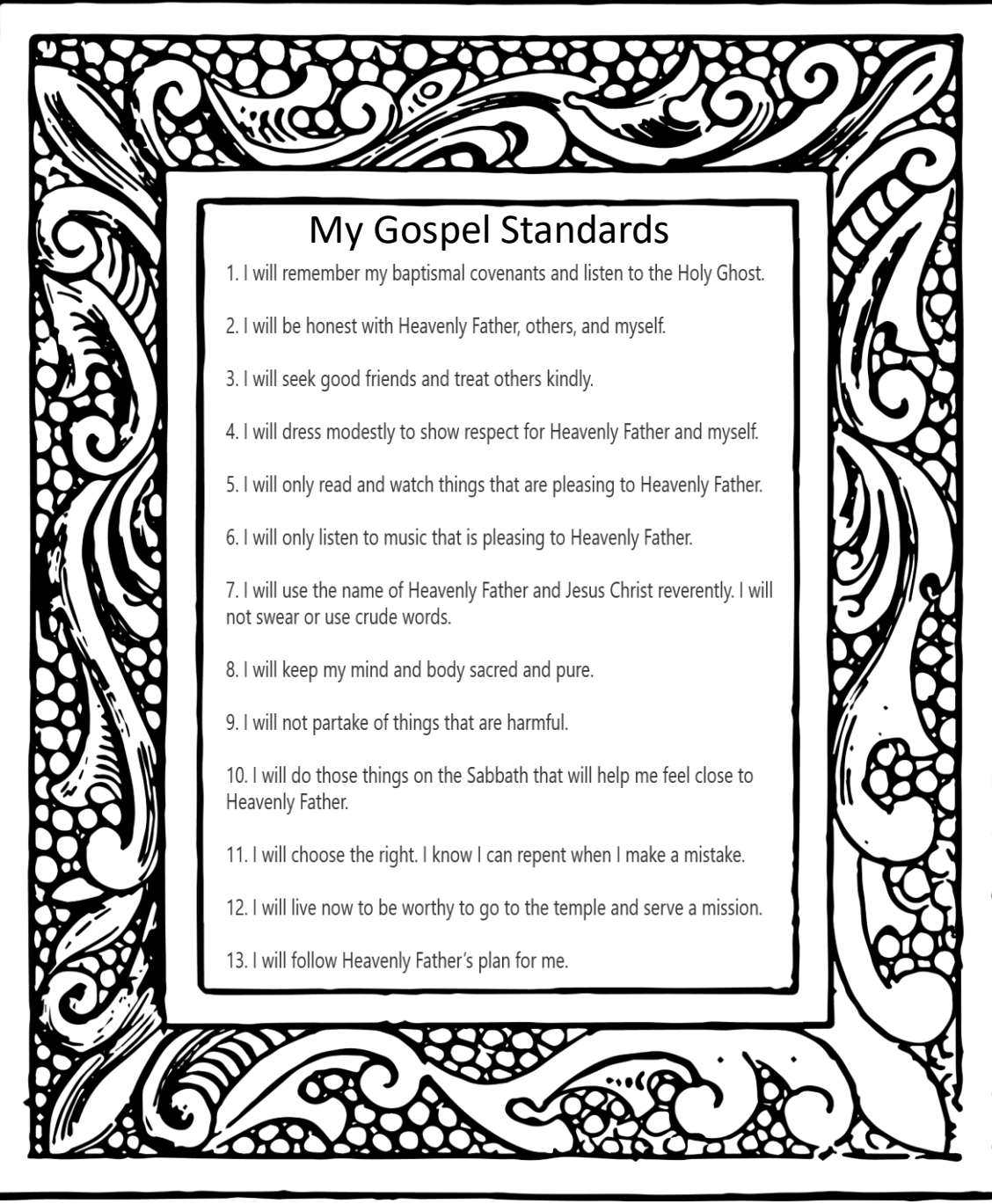
SERVING A
MISSION

BEING
MARRIED IN
THE
TEMPLE



My Gospel Standards

1. I will remember my baptismal covenants and listen to the Holy Ghost.
2. I will be honest with Heavenly Father, others, and myself.
3. I will seek good friends and treat others kindly.
4. I will dress modestly to show respect for Heavenly Father and myself.
5. I will only read and watch things that are pleasing to Heavenly Father.
6. I will only listen to music that is pleasing to Heavenly Father.
7. I will use the name of Heavenly Father and Jesus Christ reverently. I will not swear or use crude words.
8. I will keep my mind and body sacred and pure.
9. I will not partake of things that are harmful.
10. I will do those things on the Sabbath that will help me feel close to Heavenly Father.
11. I will choose the right. I know I can repent when I make a mistake.
12. I will live now to be worthy to go to the temple and serve a mission.
13. I will follow Heavenly Father's plan for me.



My Gospel Standards

1. I will remember my baptismal covenants and listen to the Holy Ghost.
2. I will be honest with Heavenly Father, others, and myself.
3. I will seek good friends and treat others kindly.
4. I will dress modestly to show respect for Heavenly Father and myself.
5. I will only read and watch things that are pleasing to Heavenly Father.
6. I will only listen to music that is pleasing to Heavenly Father.
7. I will use the name of Heavenly Father and Jesus Christ reverently. I will not swear or use crude words.
8. I will keep my mind and body sacred and pure.
9. I will not partake of things that are harmful.
10. I will do those things on the Sabbath that will help me feel close to Heavenly Father.
11. I will choose the right. I know I can repent when I make a mistake.
12. I will live now to be worthy to go to the temple and serve a mission.
13. I will follow Heavenly Father's plan for me.

Instructions:

Copy page 2(or 3) and 4

Cut, laminate and cut. (for page 3 color)

Put upside down on floor and play concentration
game matching the Priesthood Ordinances with
the pictures

Page 5 Handout